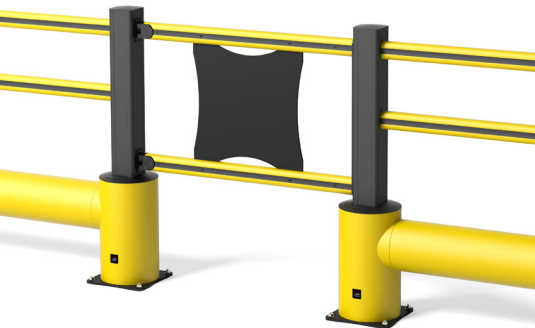


SG SWING GATE BOPLAN SAFETY GATES SPECIFICATION SHEET

Revision: 20 December 2018 4:14 PM
Boplan reference: SG01.-



PRODUCT SPECIFICATIONS

APPLICATION

Environment	Industrial self closing gate. Gate in between pedestrian zone and high traffic zone. Indoor use.
Features	Self-closing safety gate. Integrated hinge. Swings on both sides. Opens over an angle of 180° When opened over more than 90°, the gate remains open. When not desired, use push back blocks. (optional) Range of standards lengths available. Can be mounted on different FLEX IMPACT® systems. With integrated sign plate. UV resistant. Impervious to most chemical products** Positively tested up to 100.000 cycles (open/close)
Advisory speed	Not intended for vehicle impact.

MATERIAL


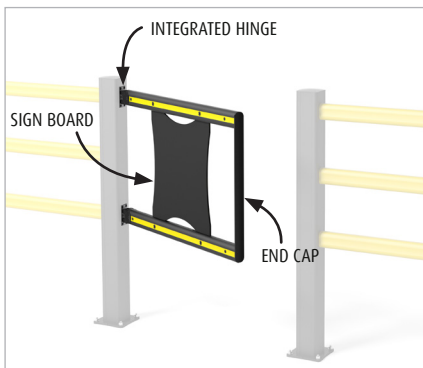
Gate rails	Polyolefin - UV resistant - Fire class HB* - Non conductive - Impervious to most chemical products**
Fixations and springs	Steel
End cap	Lacquered aluminium

STANDARD COLORS

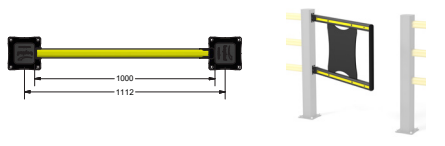
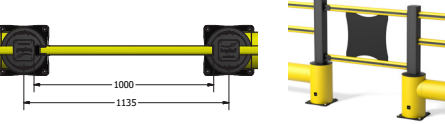
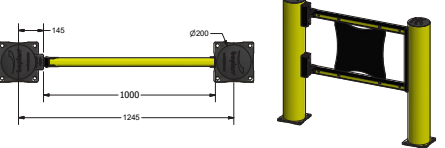
Gate rails	Black / yellow
Sign board	Black
End cap	Black

FIXATIONS (included)

To fix hinge (on a FLEX IMPACT® post)	Bolts: M6x40mm - ZC (8x) Internal steel plate - St 37 (1x)
---------------------------------------	---

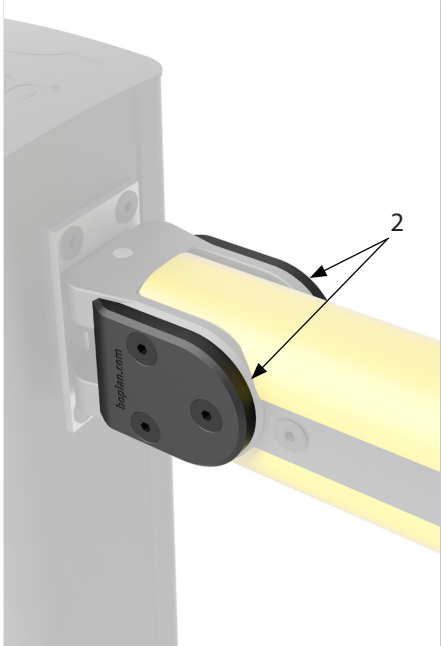



FEATURES AND FUNCTIONALITY

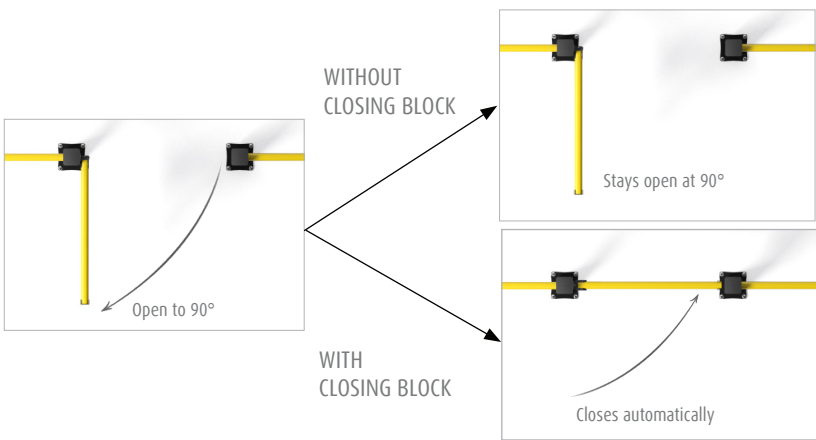
ATTACH TO	
Boplan HP plus	
Boplan TB400 Plus Boplan TB260 Plus	
Boplan Bollard impact	

REQUIREMENTS	
Compatible	HP Plus handrails systems. TB400 Plus TB260 Plus BO Impact
Environment	Indoor use only.
Operational temperature	-10°C up to + 40°C
Food proof	No
Use	To be opened manually. Not indented for vehicle impact.
SIZE	
Standard Length	800mm / 1000mm / 1250mm (without support wheel) 1500mm / 2000mm (with additional support wheel)
Variable Length	765mm up to 2000mm
Section gate rail	(H) 70 mm x (W) 50 mm
Weight (incl hinge, fixations,...)	9.0 kg (800 mm version) 9.5 kg (1000 mm version) 10.0 kg (1250 mm version) 15.5 kg (1500 mm version) 19.3 kg (2000 mm version)

SAFETY CLOSING BLOCK



The Closing block prevents the SG Swing gate from remaining open when opened 90° or more.
Can be retro-fit to an existing Swing Gate.
Compatible with SG Swing Gate only.



REFERENCES - SWING GATE

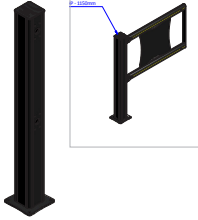
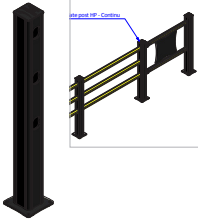
SWING GATE < 1250 mm

SG0100-0800-0001BY	800mm Black/Yellow (excl. post)		
SG0100-0900-0001BY	900mm Black/Yellow (excl. post)		
SG0100-1000-0001BY	1000mm Black/Yellow (excl. post)		
SG0100-1250-0001BY	1250mm Black/Yellow (excl. post)		
coming soon	765 mm - 1249 mm Black/Yellow (excl. post)		


SWING GATE 1500 mm - 2000 mm

SG0100-1500-0001BY	1500 mm + roller Black/Yellow (excl. post)		
SG0100-2000-0001BY	2000 mm + roller Black/Yellow (excl. post)		
SG0101-2000-0001BY	1501 mm - 1999 mm + roller Black/Yellow (excl. post)		

REFERENCES - SWING GATE - HP POST

<p>SG0199-0001-BPBL SG0199-0001-BPBLS SG0199-0001-BPBLZ</p>	<p>SG post HP - Blank - BL SG post HP - Blank - BL - SS SG post HP - Blank - BL - ZC</p> 
<p>SG0199-0001-C2BL SG0199-0001-C2BLS SG0199-0001-C2BLZ</p>	<p>SG post HP - Cont.2R - BL SG post HP - Cont.2R - BL - SS SG post HP - Cont.2R - BL - ZC</p>
<p>SG0199-0001-C3BL SG0199-0001-C3BLS SG0199-0001-C3BLZ</p>	<p>SG post HP - Cont.3R - BL SG post HP - Cont.3R - BL - SS SG post HP - Cont.3R - BL - ZC</p> 
<p>SG0199-0090-SGD2BL SG0199-0090-SGD2BLS SG0199-0090-SGD2BLZ</p>	<p>SG post HP - 90° Down (2R) - BL SG post HP - 90° Down (2R) - BL - SS SG post HP - 90° Down (2R) - BL - ZC</p>
<p>SG0199-0090-SGD3BL SG0199-0090-SGD3BLS SG0199-0090-SGD3BLZ</p>	<p>SG post HP - 90° Down (3R) - BL SG post HP - 90° Down (3R) - BL - SS SG post HP - 90° Down (3R) - BL - ZC</p>
<p>SG0199-0090-SGU2BL SG0199-0090-SGU2BLS SG0199-0090-SGU2BLZ</p>	<p>SG post HP - 90° Up (2R) - BL SG post HP - 90° Up (2R) - BL - SS SG post HP - 90° Up (2R) - BL - ZC</p>
<p>SG0199-0090-SGU3BL SG0199-0090-SGU3BLS SG0199-0090-SGU3BLZ</p>	<p>SG post HP - 90° Up (3R) - BL SG post HP - 90° Up (3R) - BL - SS SG post HP - 90° Up (3R) - BL - ZC</p>

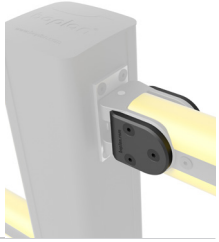
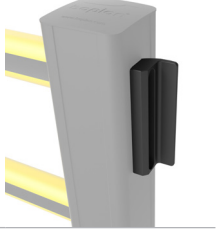
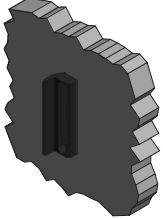
REFERENCES - SWING GATE - TB400 PLUS POST

<p>SG0299-0001-SGBPYE SG0299-0001-SGBPYES SG0299-0001-SGBPYEZ</p>	<p>SG post TB400 Plus - Blank - YE SG post TB400 Plus - Blank - YE - SS SG post TB400 Plus - Blank - YE - ZC</p>
<p>SG0299-0001-SGC2YE SG0299-0001-SGC2YES SG0299-0001-SGC2YEZ</p>	<p>SG post TB400 Plus - Continu TB - YE SG post TB400 Plus - Continu TB - YE - SS SG post TB400 Plus - Continu TB - YE - ZC</p> 
<p>SG0299-0090-SGD2YE SG0299-0090-SGD2YES SG0299-0090-SGD2YEZ</p>	<p>SG post TB400 Plus - 90° Down TB - YE SG post TB400 Plus - 90° Down TB - YE -SS SG post TB400 Plus - 90° Down TB - YE -ZC</p>
<p>SG0299-0090-SGU2YE SG0299-0090-SGU2YES SG0299-0090-SGU2YEZ</p>	<p>SG post TB400 Plus - 90° Up TB - YE SG post TB400 Plus - 90° Up TB - YE -SS SG post TB400 Plus - 90° Up TB - YE -ZC</p>

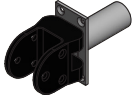
REFERENCES - SWING GATE - TB260 PLUS POST

SG0299-0002-SGBPYE SG0299-0002-SGBPYES SG0299-0002-SGBPYEZ	SG post TB260 Plus - Blank - YE SG post TB260 Plus - Blank - YE - SS SG post TB260 Plus - Blank - YE - ZC
SG0299-0002-SGC2YE SG0299-0002-SGC2YES SG0299-0002-SGC2YEZ	SG post TB260 Plus - Continu TB - YE SG post TB260 Plus - Continu TB - YE - SS SG post TB260 Plus - Continu TB - YE - ZC
SG0299-0092-SGD2YE SG0299-0092-SGD2YES SG0299-0092-SGD2YEZ	SG post TB260 Plus - 90° Down TB - YE SG post TB260 Plus - 90° Down TB - YE -SS SG post TB260 Plus - 90° Down TB - YE -ZC
SG0299-0092-SGU2YE SG0299-0092-SGU2YES SG0299-0092-SGU2YEZ	SG post TB260 Plus - 90° Up TB - YE SG post TB260 Plus - 90° Up TB - YE -SS SG post TB260 Plus - 90° Up TB - YE -ZC

REFERENCES - SWING GATE - ACCESSORIES

SG0109-0002-PBBL	SG Push back block (2 pieces) - BL	
SG9900-0001-PMBL	SG stop Post mounted - BL	
SG9900-0002-WMBL	SG stop Wall mounted - BL	

REFERENCES - SWING GATE - SPARE PARTS

SG0109-0001-GRBL	Fixing hinge - Endcap 2000 sw - wiel - gelakt-zw	
PA0160-0000-0001	Fixing hinge - Endcap <1500 sw - lak-zw - Alu	
PA0600-0000-0003	Hinge (1pcs) for swing gate > 1500 mm (Double Spring)	
PA0600-0000-0002	Hinge (1pcs) for swing gate < 1500mm (Single Spring)	

EXAMPLE SET UP

ITEM	PART NUMBER	DESCRIPTION
1	SG0299-0001-SGC2YE	SG post TB400 Plus - Continu TB - YE
2	SG0100-1500-0001BY	SG Swing gate - 1500 mm + roller Black/Yellow (excl. post)
3	SG9900-0001-PMBL	SG stop - Post mounted - BL
4	BO2000-1200-E205TYEZ	Bollard Impact - EP (R50) - 2R(TB) - 1200mm YE - ZC
5	TP4000-0001-MPYE	TB400 Plus - Mid post YE
6	TP4000-0350-C250YE	TB400 Plus - Conn.tube Ø250-350mm (lis 2x550mm) - YE

