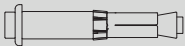



BO SUPER BOPLAN BOLLARD SUPER SPECIFICATION SHEET

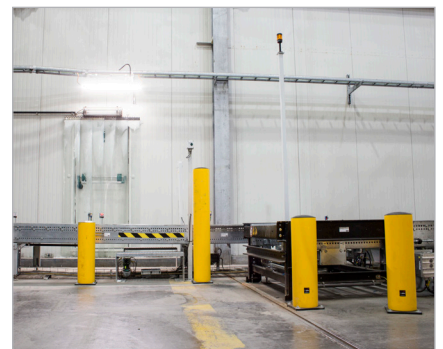
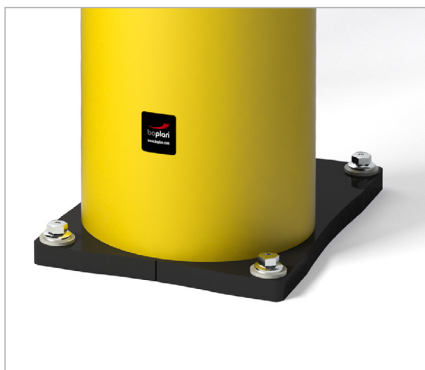
Revision: 3 December 2018 9:25 AM
Boplan reference: B0250



PRODUCT SPECIFICATIONS

APPLICATION		
Environment	The BO Super is the strongest within FLEX IMPACT® bollards. It is a protective posts for frequent collisions with heavy vehicles. With its 20mm thick steel baseplate, and outer diameter of 250mm, it is the ideal protection for gates, access ways, corners & machines.	
Advisory speed	6.0 km/h	For gross weight vehicle of 2500 kg
	4.5 km/h	For gross weight vehicle of 5000 kg
MATERIAL		
	Polyolefin - UV resistant - Fire class HB* - Non conductive - Impervious to most chemicals**	
COLORS		
	Standard: Yellow Also available in black and grey (multicolor) Also available with stripes	
BASEPLATES		
	Zinc Coated Steel Non - countersunk	Stainless steel Non - countersunk
Material	Steel 37	INOX (RVS 304)
Coating	Lacquered + electro plating	No Itacquer / No coating
Color	Matt black	Natural color
FIXATIONS		
	ZINC COATED	INOX
HEAVY DUTY EXPANSION ANCHOR 	L = 120 ; Ø = 20 mm ; M12 17 kN max pull force	L = 120 ; Ø = 20 mm ; M12 10.7 kN max pull force
THREADED ROD (WITH CHEMICAL ANCHOR) 	L = 120 ; Ø = 18 mm ; M16 20 kN max pull force	L = 120 ; Ø = 18 mm ; M16 20 kN max pull force

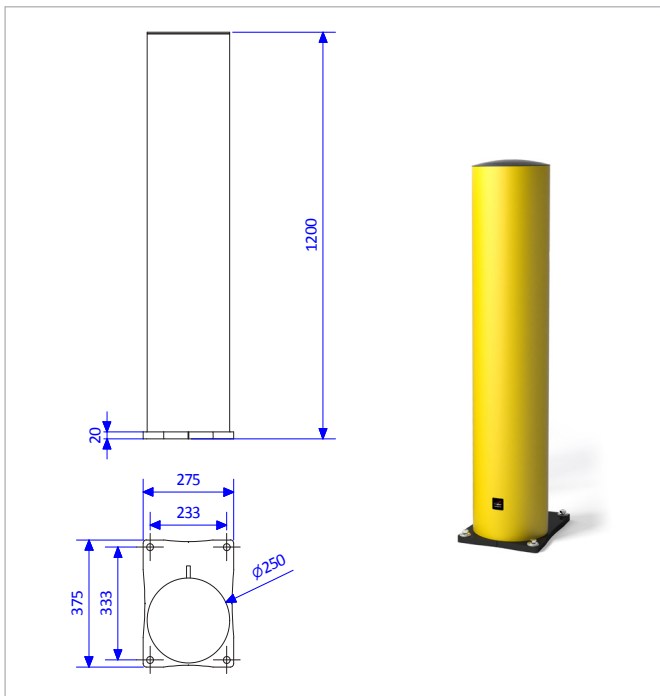
*Fire class HB = Slow burning; classification according to UL94: US Standard for Safety of Flammability of Plastics ; Class E according to EN 13501-1
**Ask your local sales office for resistance to specific chemicals.



FEATURES AND FUNCTIONALITY

SIZE		
Height		450 mm 550 mm 600 mm 750 mm 1000 mm 1200 mm 550 mm - 2500 mm
Profile section		Outer tube: Ø250 mm (11 mm thick) Inner profile: 112 mm x 112 mm (10 mm thick) Impact foam (between Outer tube and Inner profile)
Baseplate		375 mm x 275 mm (20 mm thick)
IMPACT PERFORMANCE		
Test conditions	Ambient temperature Height bollard Fork lift weight Floor Success criteria	20°C 1200mm 2300kg Industrial concrete Fork lift stopped
90° impact	Maximum impact	7200 Joule
45° impact	Maximum impact	10000 Joule

REQUIREMENTS	
Concrete quality	minimum C25/30
Concrete floor plate thickness (mm)	minimum 150 mm
Concrete slab dimension around posts (mm)	800 (h) x 800 (w) x 600 (d)
Operational temperature	-10°C up to +40°C
Water and humidity	Zinc coated: Indoor and outdoor use in most environments. RVS: outdoor use or frequent exposure to water and humidity.



S = Stainless steel (=inox = RVS)
 Z = Zinc coated (=galvanized)
 C = chamfered
 YE = Yellow
 MC = Multicolor



REFERENCE LIST - BOLLARD SUPER

	ZINC COATED (ZC) Non - countersunk		STAINLESS STEEL (SS) Non - countersunk	
	YELLOW	MULTICOLOR	YELLOW	MULTICOLOR
	450 mm	B02500-0450-0001YEZ	B02500-0450-0001MCZ	B02500-0450-0001YES
600 mm	B02500-0600-0001YEZ	B02500-0600-0001MCZ	B02500-0600-0001YES	B02500-0600-0001MCS
750 mm	B02500-0750-0001YEZ	B02500-0750-0001MCZ	B02500-0750-0001YES	B02500-0750-0001MCS
1000 mm	B02500-1000-0001YEZ	B02500-1000-0001MCZ	B02500-1000-0001YES	B02500-1000-0001MCS
1200 mm	<u>B02500-1200-0001YEZ</u>	B02500-1200-0001MCZ	B02500-1200-0001YES	B02500-1200-0001MCS
550 - 1200 mm	B02501-1200-0001YEZ	B02501-1200-0001MCZ	B02501-1200-0001YES	B02501-1200-0001MCS
1201 - 1525 mm	B02501-1525-0001YEZ	B02501-1525-0001MCZ	B02501-1525-0001YES	B02501-1525-0001MCS
1600 - 2000 mm	B02501-2000-0001YEZ	B02501-2000-0001MCZ	B02501-2000-0001YES	B02501-2000-0001MCS
2100 - 2500 mm	B02501-2500-0001YEZ	B02501-2500-0001MCZ	B02501-2500-0001YES	B02501-2500-0001MCS

STRIPES			
	Black	White	Yellow
1 STRIPE	PA0300-0250-0001BL	PA0300-0250-0001WH	PA0300-0250-0001YE
2 STRIPES	PA0300-0250-0002BL	PA0300-0250-0002WH	PA0300-0250-0002YE
3 STRIPES	PA0300-0250-0003BL	PA0300-0250-0003WH	PA0300-0250-0003YE
	